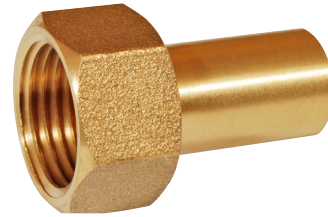


Adapter

- Solid-cast in brass
- Female thread 1/2" and tube end
- Key grip



Description

Adapter.

Construction

Solid-cast adapter in brass with key grip.
Body in dezincification resistant brass.
Connection female thread 1/2".
Tube end \varnothing 15 mm.
Adapter for 5150, 5151 and 9630.

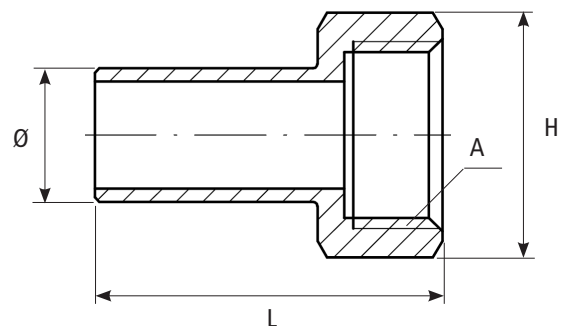
Maintenance

Adapters are normally maintenance-free.
When installing, do not use press fittings on tube end.

Technical data

Body Dezincification resistant brass CW625N

Maximum working pressure: 10 bar
Maximum working temperature: +90°C
Minimum working temperature: +2°C



Item number	Description	Connection A	Length L	Height H	Tube end \varnothing	Weight (kg)
0496151500	Adapter for 9630, 1/2" F x 15 tube end	1/2" F	39	27,5	15	0,04

All dimensions in millimetres

Subject to technical changes and corrections without notice